



**HAARSLEV™**

Processing Technology

# **FEATHER PRESS**

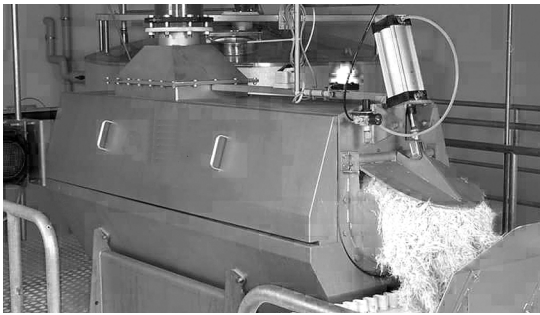
Product brochure



# HAARSLEV™

Processing Technology

## FEATHER PRESS



“

IDEAL FOR REMOVING WATER  
FROM CHICKEN, GOOSE AND  
TURKEY FEATHERS.

Modern poultry processing operations often use large quantities of water to remove the feathers once plucked or rubbed off. The sturdy Haarslev Feather Press effectively removes water from chicken, goose and turkey feathers, enabling you to achieve a consistent 55% moisture level.

Haarslev feather presses can be installed downstream from a normal feather separator in a slaughterhouse, or can receive feathers plus their transport water straight from a slaughterhouse pumping system. This type of press normally removes about 350 liters of water per 1,000 kg of wet feathers from the feather separator.

Haarslev feather presses provide significant paybacks in the form of energy savings (in rendering operations) and lower transportation and feather removal costs, simply because the feathers weigh much less once the water has been removed.



### APPLICABLE FOR:

This is a reliable, cost-effective way to dry the large quantities of feathers resulting from chicken, goose and turkey processing operations.

Haarslev feather presses can also be fitted with:

- Bow strainers fitted with parabolic screens
- Drum screens
- Additional presses working under pressure

### BENEFITS

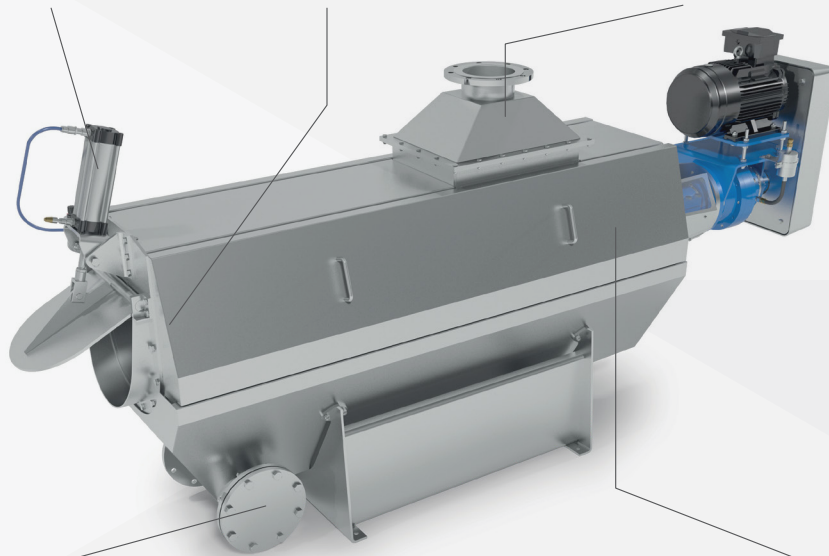
- Straightforward, sturdy equipment that you can rely on
- Savings on feather removal and transport costs
- Savings on rendering and other processing costs
- Avoids problems with feather fat clogging the equipment
- No water left behind in bins or trucks after feather transportation
- Only minimal supervision and maintenance required

**WET FEATHERS FROM THE  
SLAUGHTERHOUSE PUMPING SYSTEM  
OR FROM AN ORDINARY FEATHER  
SEPARATOR**

Hydraulic strut on exit flap provides pneumatic resistance

Cylindrical auger presses feathers against the exit flap

Feathers and water enter through chute in the top of the press



Water squeezed out of the feathers and collected is led away through a pipe at the bottom

Press cage with stainless steel bars that make sure even small feathers are continuously captured, drained and pressed

**HYDROLYZERS,  
RENDERING PROCESSES  
OR DISPOSAL**

TYPE	CAPACITY				WATER FLOW (m <sup>3</sup> /h)	WEIGHT (kg)	DIMENSIONS (mm) <sup>***</sup>			INSTALLED POWER (kW)
	BROILERS (live weight) (kg/h)	TURKEYS (live weight) (kg/h)	WET BROILER FEATHERS* (kg/h)	WET TURKEY FEATHERS** (kg/h)			LENGTH (L)	HEIGHT (H)	WIDTH (W)	
FP 325W	< 15,000	n/a	< 1,950	n/a	30	940	3,000	1,310	700	7.5
FP 408W	< 30,000	< 40,000	< 3,900	< 2,400	60	1,400	3,810	1,720	1,070	15
FP 508W	< 48,000	< 65,000	< 6,200	< 4,000	120	2,900	4,200	2,100	1,200	22

\* Wet broiler feathers are estimated to max. 13% of live weight.

\*\* Wet turkey feathers are estimated to max. 6% live weight.

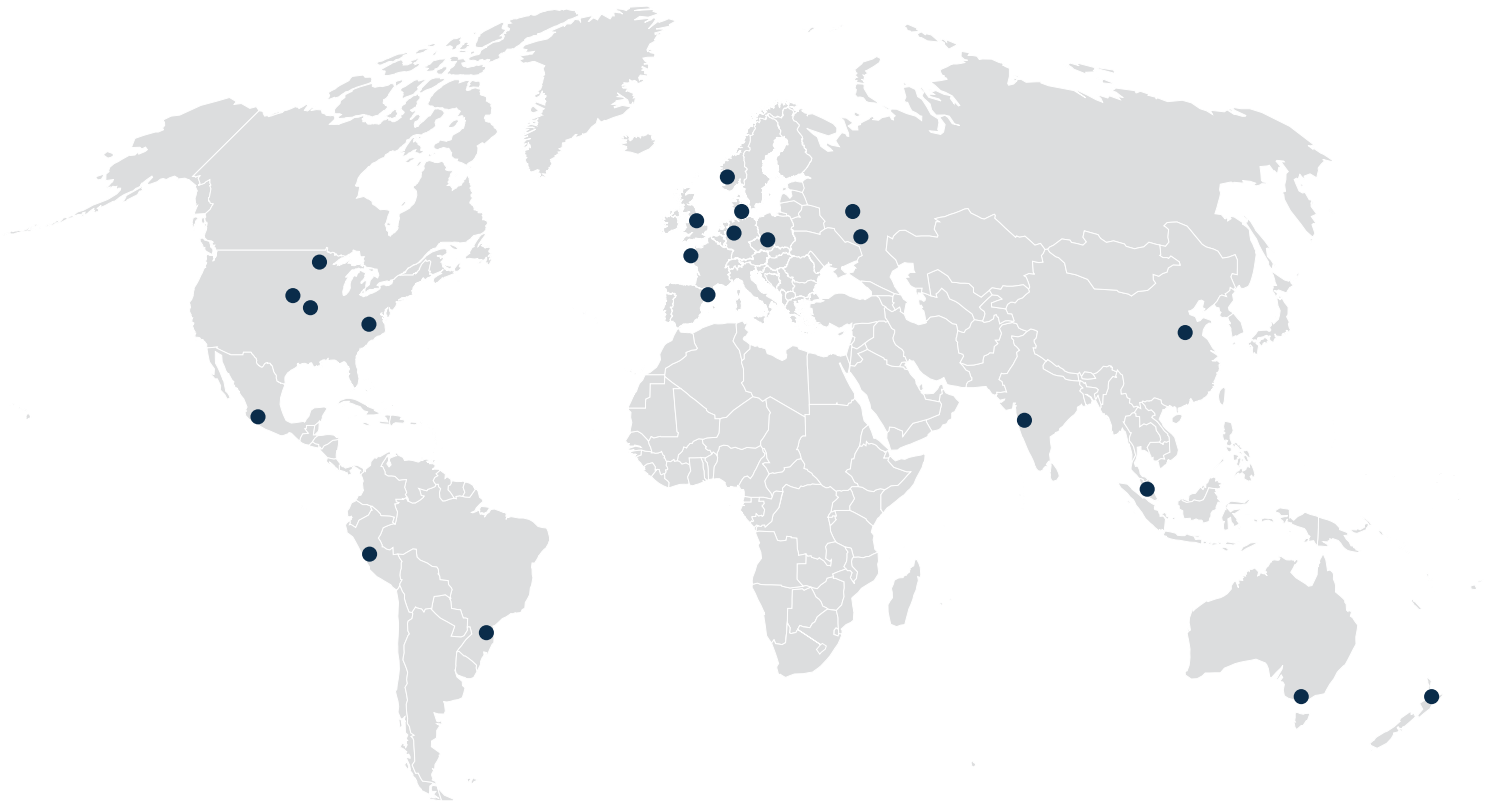
\*\*\* All statements of dimensions are approximate.

We reserve the right to alter the specifications at any time without prior notice.



# HAARSLEV™

Processing Technology



## PROCESS IS POTENTIAL

### HEAD OFFICE

Haarslev Industries A/S · Bogensevej 85  
DK-5471 Søndersø · Denmark  
Telephone: +45 63 83 11 00  
Email: [info@haarslev.com](mailto:info@haarslev.com)  
[www.haarslev.com](http://www.haarslev.com)

### GLOBAL EXPERIENCE - LOCAL PRESENCE

Please contact us or visit our website  
to locate the closest sales office.