



**HAARSLEV™**  
Processing Technology

# TALLOW PUMP

Product brochure



# HAARSLEV™

Processing Technology

# TALLOW PUMP



“

WELL-PROVEN, RELIABLE EQUIPMENT FOR  
PUMPING VISCOUS ANIMAL FAT.

Viscous fats and other similar material aren't easy to pump from one place to another. But Haarslev tallow pumps can help.

The Haarslev Tallow Pump is a centrifugal pump equipped with a feed screw, specially configured to pump animal fat containing a large proportion of smaller, solid particles. This buffer/feed screw is essential for making sure the pump consistently runs at peak efficiency, and is one of the big advantages of using Haarslev tallow pumps.

## APPLICABLE FOR:

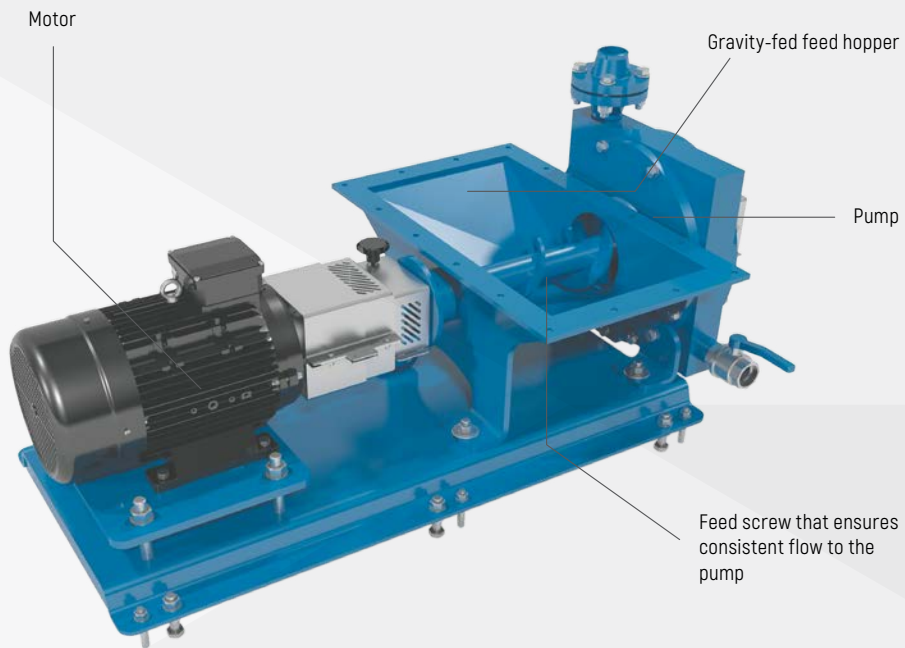


- Fat processing setups
- Tallow treatment

## BENEFITS

- Consistent, reliable flow of viscous fat
- Extremely durable and resistant to mechanical wear
- Can pump hot tallow (up to 100°C)
- Low operating costs

**ANIMAL FAT ON ITS WAY TO SEPARATION**



**DECANTER CENTRIFUGE FOR SEPARATING FAT FROM LIQUID**

TYPE	PUMP CAPACITY (m <sup>3</sup> /h)	PRESSURE (Bar)	SOLID PARTICLE HANDLING (mm)	POWER (kW)	WEIGHT (kg)
AS 7.5	18	2	25	4	270

We reserve the right to alter the specifications at any time without prior notice.



# HAARSLEV™

Processing Technology



## PROCESS IS POTENTIAL

### HEAD OFFICE

Haarslev Industries A/S · Bogensevej 85  
DK-5471 Sønderlø · Denmark  
Telephone: +45 63 83 11 00  
Email: [info@haarslev.com](mailto:info@haarslev.com)  
[www.haarslev.com](http://www.haarslev.com)

### GLOBAL EXPERIENCE - LOCAL PRESENCE

Please contact us or visit our website  
to locate the closest sales office.