



HAARSLEV™
Processing Technology

DUAL ROTOR PUMP

Product brochure



HAARSLEV™

Processing Technology

DUAL ROTOR PUMP



The Haarslev Dual Rotor Pump pat. pend. 2019 00691 is a rotary positive displacement pump, also known as a lobe pump, specifically designed to pump a wide range of materials and liquids, with very low energy consumption, low noise, and little maintenance.

The Haarslev Dual Rotor Pump can be delivered with the housing in either carbon steel (Universal) or stainless steel (Hygienic) execution. There are two model sizes to cover a wide range of requirements.

The pumps are designed with very few wearing parts, all of which are easily replaceable. There are only two moving parts and the pumps are equipped with mechanical sealed bearings.

Dependant on the customer requirements of material being processed and capacity requirements, the pumps can be delivered with inverter controlled motors for adjustable capacities and extended pumping performance.

“

RELIABLE, HIGH-CAPACITY PUMPS FOR TRANSFERRING MEAT, FISH OR POULTRY MATERIAL, EVEN IF IT CONTAINS LARGE AMOUNTS OF LIQUIDS.



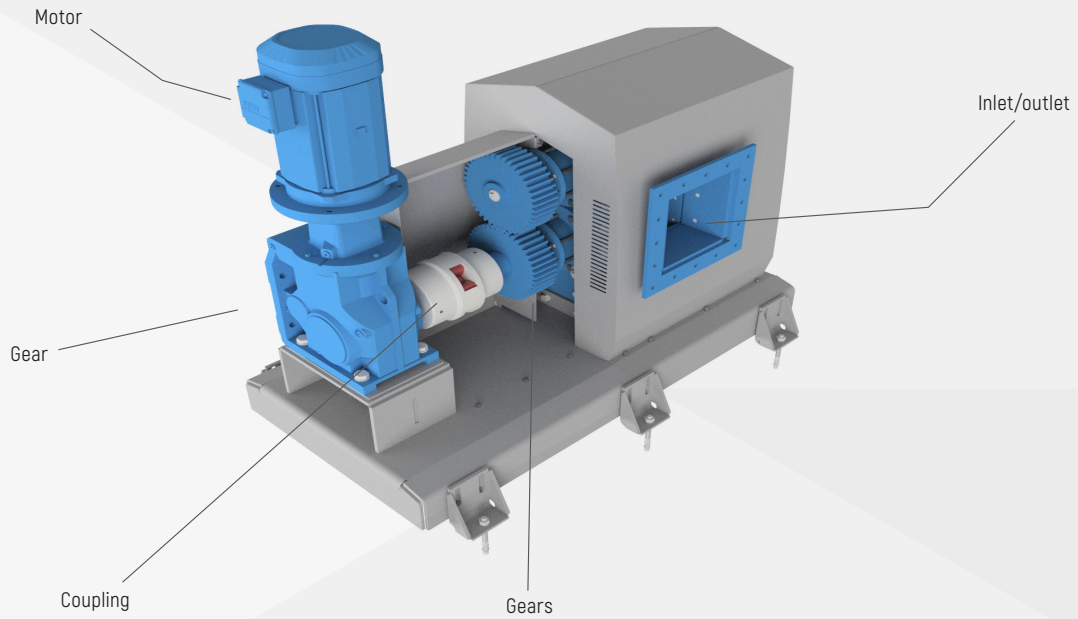
APPLICABLE FOR:

- Fish processing
- Wet and dry rendering
- Pet food production
- Poultry offal (except feathers)

BENEFITS

- Ideal for pumping a wide range of materials, in a variety of industries - including pet food
- Wide range of capacities
- Low energy consumption
- Simple sealing system
- Temperature resistant
- Reduced energy consumption
- Special design pat. pend. 2019 00691

RAW AND COOKED ANIMAL AND FISH BY-PRODUCTS IN WET AND DRY RENDERING, AND FOR PET FOOD



FILLING COOKERS AND OTHER PROCESSING EQUIPMENT, IN A CLOSED SYSTEM

TYPE	STEEL TYPE	TYPICAL CAPACITY RANGE	MAX. SPEED	DISPLACEMENT (theoretical)	NOMINAL TORQUE	NET. WEIGHT	
						Bare shaft pump	Pump unit (incl. motor and gear)
		M ³ /h	rpm	L/rev	Nm	kg	kg
DRH 200-200	STAINLESS	3-30	100	5	1,000	240	650
DRH 340-250	STAINLESS	10-105	100	17,7	4,000	640	1,200

We reserve the right to alter the specifications at any time without prior notice.



HAARSLEV™

Processing Technology



TAKING CARE OF TOMORROW

Haarslev Industries A/S · Bogensevej 85
DK-5471 Sønderød · Denmark
Telephone: +45 63 83 11 00
Email: info@haarslev.com
www.haarslev.com

GLOBAL EXPERIENCE - LOCAL PRESENCE

Please contact us or visit our website
to locate the closest sales office.